

## OPERATING INSTRUCTIONS

LASERLINE model 921T immobiliser is a sophisticated electronic device for vehicle protection, which ensures very reliable protection with a simple operation procedure. The system consists of a Control unit, LED, Reader and two contactless coded electronic identification devices called TRANSPONDER.

The 921T immobiliser deactivates the main electric circuits of the vehicle (starter solenoid, petrol pump, injection or ignition coil...) and simply operates by a coded TRANSPONDER KEY that must be moved to a reader, usually fitted behind the vehicle dash fascia before starting the vehicle.

Activation of the system is automatically carried out approximately 20 seconds after switching the ignition off. Once activated, a dash fascia mounted LED will flash. **From now on, the immobiliser operates on two specific points of the vehicles starting-ignition or fuel supply systems, to prevent an unauthorised attempt to start the vehicle.**

To switch the immobiliser off, move the coded TRANSPONDER KEY to the reader and remove. You have approximately 20 seconds to start the vehicle. If you fail to start the vehicle within this 20 seconds the system will re-activate automatically and it will be necessary to move the coded TRANSPONDER KEY to the reader and remove again in order to start the vehicle. Note: always switch OFF the immobiliser before switching ON the ignition key as accidental activation of Self-Learning Procedure may occur. If accidental activation of Self-Learning Procedure does occur, wait for LED to flash at a rate of 1 flash per 2 seconds before disarming.

All the wires of the immobiliser are black and are recognisable by a code printed on the end of them. When the installation is completed, all the codes on the ends of the wires are removed so that they are not identifiable and the immobiliser cannot be neutralised.

**There are thousands of millions of combinations for the TRANSPONDER KEY, so each key is unique and cannot be replicated. When one of the 2 supplied TRANSPONDER KEY is lost, it is necessary to execute the SELF-LEARNING PROCEDURE.**

### Note

After the above operations, any lost or stolen TRANSPONDER KEYS become useless. Code memorisation can only occur when the LED is constantly on. No more than 10 seconds must elapse between memorising each TRANSPONDER KEY. When 4 TRANSPONDER KEY have been memorised, the immobiliser will automatically exit from the self-learning procedure or 10 seconds after the last TRANSPONDER KEY was memorised. If a new TRANSPONDER KEY has been memorised, it is necessary to memorise the original TRANSPONDER KEYS if their continued use is desired. If only one TRANSPONDER KEY is available no SELF-LEARNING PROCEDURE will take place and the procedure will enter EMERGENCY CODE (PIN CODE) DISPLAY PROCEDURE. To memorise only one TRANSPONDER KEY follow the "USING THE EMERGENCY CODE (PIN CODE) TO DISARM THE IMMOBILISER" procedure and memorise single TRANSPONDER KEY.

## SELF-LEARNING PROCEDURE

- 1) Deactivate the immobiliser by moving the TRANSPONDER KEY to the reader location.
- 2) Turn ignition key to ON position.
- 3) Move and hold one of the TRANSPONDER KEYS to the reader.
- 4) Maintaining the TRANSPONDER KEY over the reader, turn OFF the ignition key.
- 5) Remove the TRANSPONDER KEY from the reader.
- 6) Check if the LED is steady ON, as indication of the beginning of SELF-LEARNING PROCEDURE.
- 7) Within 10 seconds of the LED remaining ON, move over the reader a new/spare TRANSPONDER KEY, followed by the original TRANSPONDER KEY first used to enter the SELF-LEARNING PROCEDURE. Each KEY learning is signalled by a short pause of the LED
- 8) When the 10 seconds from the last TRANSPONDER KEY as elapsed, the immobiliser exits from the SELF-LEARNING PROCEDURE and displays the EMERGENCY CODE (PIN CODE) via flashing of the LED.
- 9) Note the PIN CODE in the space provided at the end of these instructions.

Verify that all TRANSPONDER KEYS operate; otherwise, repeat the above steps.

## EMERGENCY CODE (PIN CODE) DISPLAY PROCEDURE

To display the PIN CODE, activate the self-learning procedure and wait 10 seconds for the LED to switch OFF. The immobiliser will use the LED for displaying 5 sequences of flashes that will correspond to 5 numbers. The following table shows an example of a PIN CODE and the corresponding LED flashes:

For the numbers	n° of corresponding flashes
5	n° 5 consecutive LED flashes 2 sec. Pause
6	n° 6 consecutive LED flashes 2 sec. Pause
0	n° 10 consecutive LED flashes 2 sec. Pause
5	n° 5 consecutive LED flashes 2 sec. Pause
4	n° 4 consecutive LED flashes 2 sec. Pause

**On the above example, the PIN CODE to note at the end of these instructions would be 5 6 0 5 4.**

It is imperative to note on a piece of paper this Emergency Pin Code, if it is different from the original pin code displayed in the rear of these instructions. This pin code must then be stored in a secure location. Note: If you intend to leave these instructions in the vehicle, the pin code in the back of these instructions should be removed for safekeeping.

This emergency code is derived from the first TRANSPONDER KEY memorised when you self-learn a new TRANSPONDER KEY. If you want to change the pin code from the original code, you may have to follow the self-learning procedure more than once alternating the first TRANSPONDER KEY until a new pin code is given.

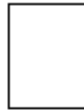
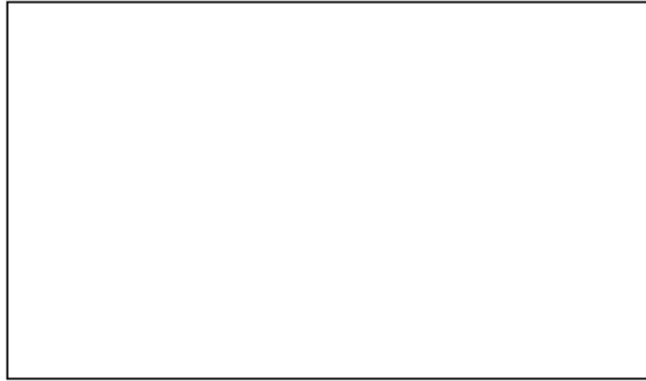
## HOW TO DISARM THE IMMOBILISER USING THE "EMERGENCY CODE"

If the TRANSPONDER KEYS do not work correctly or have been lost, to disarm the immobiliser you must insert the "EMERGENCY CODE" (PIN CODE) as follows:

- 1) With the immobiliser ON, turn ON the ignition key.
- 2) The LED will now flash at a rate of 10 seconds ON, 2 seconds OFF, 10 seconds ON, 2 seconds OFF etc.
- 3) At any point when the LED is OFF, switch the ignition OFF. (If you miss the 2 second period whilst the LED is OFF the LED will again come on for 10 seconds).
- 4) The LED will start to flash and the immobiliser is ready to accept the PIN CODE. If not interrupted, the LED will flash 10 times. Turn ON the ignition key for 1 second after the LED as displayed the flashes corresponding to each digit of your PIN CODE, read PIN CODE at the end of these instructions from left to right. For a better understanding, see the example.

If the inserted PIN CODE is correct, the immobiliser will disarm itself and automatically enter the "SELF-LEARNING PROCEDURE", signaling this condition by LED ON for 10". Follow SELF-LEARNING PROCEDURE from step 6. If the inserted PIN CODE is wrong, the immobiliser will remain ON.

Dealer Stamp



**Return to:  
LSP AGENCIES  
33 CRAVEN COURT  
WINWICK QUAY  
WARRINGTON  
CHESHIRE  
WA2 8QU**

## LIFETIME WARRANTY

Product warranty covers units to be free from defects in manufacture for the lifetime ownership of the original vehicle, in accordance with the terms and conditions of this warranty document.

Any product, which is deemed to be defective, will be replaced or repaired. Accessories including remote controls, touch keys and additional modules are guaranteed for a period of 12 months from date of installation.

### Terms and Conditions

1. Product must be installed by an authorised qualified installer.
2. If product is transferred by an authorised installer onto another vehicle then in this case the warranty reverts back to 2 years from the date of the original installation.
3. Warranty is not transferable by the original customer to other owners of the product or accessory.
4. The customer must complete and return the warranty registration document within 21 days from date of purchase in order for the warranty to be valid.,
5. The warranty covers product only and not the quality of the installation. The warranty for installation is provided by the installer. We cannot be held responsible for costs arising due to incorrect installation.
6. All warranty claims must be directed through the original installer, accompanied by the original invoice, detailing date of installation and annual service record. Failure to do this will render the warranty invalid.
7. Continuance of product warranty is subject to an annual product service check for which a small charge may be levied by any authorised installer. Evidence of service check record must be provided in support of warranty claims.
8. Warranty does not cover costs incurred for breakdown assistance or vehicle recovery, due to product or accessory failure. Warranty does not extend to reimbursement for damage due to defects in products or accessories.

### Exclusions from Warranty

Warranty will not be valid due to the following:

1. Poor response to transmitters due to abnormally high electromagnetic interference.
2. Low battery voltage in transmitters.
3. Abuse or mistreatment of any product or accessory.
4. Loss or damage due to accident, fire, lightning, explosion, flood or water, war or civil disturbances.
5. Damage caused by external electrical source or from abnormal variation or failure of power supply.
6. Failure caused by installation of accessories not approved by the product manufacturer.
7. Failure of product occurring outside Great Britain.
8. Replacement of defective parts within the guarantee period does not include consumable parts or include labour.
9. If product is repaired by a non authorised installer the product will cease to be covered by the warranty.
10. Original manufacturer negligence.

### Consumer Details

All warranties are limited to the duration of this warranty.

This is the complete warranty and no other express or implied warranty is valid. Nothing in this warranty shall affect your statutory rights.

## Service Inspection

1 YRS	2 YRS	3 YRS	4 YRS
INSTALLER'S STAMP	INSTALLER'S STAMP	INSTALLER'S STAMP	INSTALLER'S STAMP
CERT No. DATE SIGNATURE	CERT No. DATE SIGNATURE	CERT No. DATE SIGNATURE	CERT No. DATE SIGNATURE
5 YRS	6 YRS	7 YRS	PLEASE NOTE
INSTALLER'S STAMP	INSTALLER'S STAMP	INSTALLER'S STAMP	The above Service Inspection must be carried out in order to ensure the validity of the <b>Customer Lifetime Warranty</b> .
CERT No. DATE SIGNATURE	CERT No. DATE SIGNATURE	CERT No. DATE SIGNATURE	



### IMPORTANT NOTE

FAILURE TO COMPLETE AND RETURN THIS CARD WILL RESULT IN YOUR WARRANTY BECOMING VOID.

### CUSTOMER LIFETIME WARRANTY REGISTRATION

Alarm/Immobiliser Model No. .... Make .....

Accessories Fitted ..... Model .....

Date of Installation..... Reg No. ....

Customer Name..... Year of Manufacture.....

Address .....

.....

Postcode ..... Tel No. ....

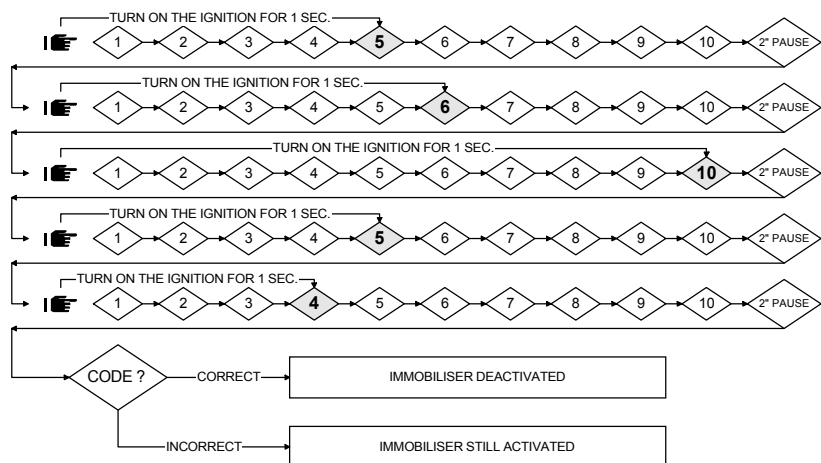
Installer Name ..... Account No. ....

Address .....

Postcode ..... Tel No. ....

I have read and understood the terms and conditions of the Customer Lifetime Warranty.

Customer Signature .....



**EXAMPLE:** the code to be inserted is 5 6 0 5 4. First digit 5 - Wait 5 flashes for the first digit. After the fifth flash has been completed and the LED has turned OFF, immediately turn ON the ignition key for 1". Turn the ignition OFF and after a pause, the LED will flash for the next digit of the PIN CODE; Second digit 6 - Wait 6 flashes for the second digit. After the sixth flash has been completed and the LED has turned OFF, immediately turn ON the ignition key for 1". Turn the ignition OFF and after a pause, the LED will flash for the next digit of the PIN CODE; Third digit 0 - For the 0 digit, the flashes to be completed on the LED are 10. Continue until all the digits have been displayed and inputted correctly.

YOUR PIN CODED IS:

--	--	--	--	--

**NOTE**

Manufacturer declines any responsibility for damage of the immobiliser and the vehicle electrical system due to **WRONG INSTALLATION OR TAMPERING**. LASERLINE SpA RESERVES THE RIGHT TO EFFECT CHANGES OF THE PRODUCT WITHOUT FURTHER NOTICE.

**TEST APPROVAL NUMBERS**

MIRRC Reference Number: TE2 - 1189/1100 Category 2

**TECHNICAL DATA**

POWER SUPPLY: ..... 12VDC  
 CURRENT DRAW: ..... 2 mA  
 REARMING DELAY: ..... 20 seconds  
 RELAYS CONTACT CAPACITY (continuous): ..... 20 A



# USER MANUAL

## IMMOBILISER MODEL 921T

**IMMOBILISER WITH TRANSPONDER KEY  
 FOR ALL CARS WITH 12V NEGATIVE EARTH ELECTRICAL SYSTEMS**

**WE ADVISE YOU TO CHOOSE AN ACCREDITATED INSTALLER. THE SYSTEM MUST BE FITTED FOLLOWING THE SUPPLIED INSTRUCTIONS; ANY ALTERATION OR ADDITION TO THE SYSTEM OR INSTALLATION CAN INVALIDATE THE CERTIFICATE OF INSTALLATION.**

Our commissioned Sales and Support Agents in the UK are LSp Agencies  
 33, Craven Court - Winwick Quay  
 Warrington - Cheshire WA2 8QU  
 Phone Number 01925 406300 (Sale support)